

# ACCESSORIES

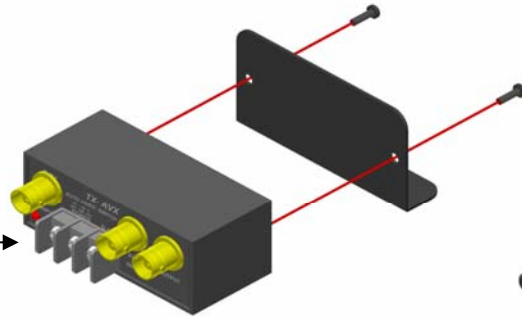
## REAR RACK ADAPTER

### FP-RRB1, ST-RRB1 & TX-RRB1

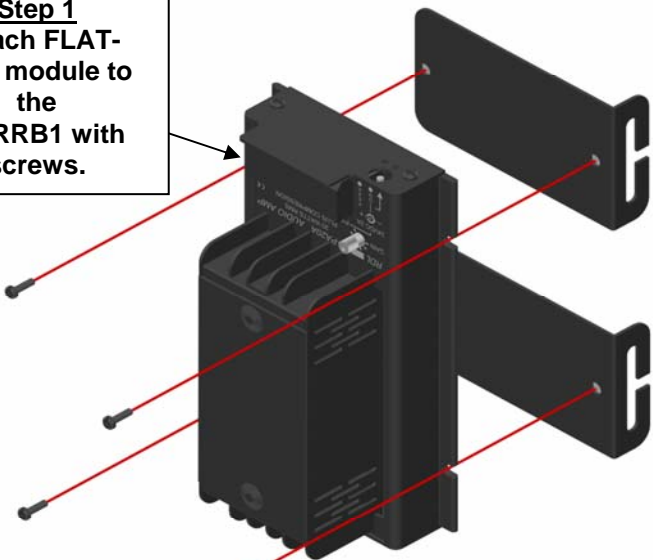
## Installation/Operation

**CE** EN55103-1 E1-E5; EN55103-2 E1-E4  
 Typical Performance reflects product at publication time  
 exclusive of EMC data, if any, supplied with product.  
 Specifications are subject to change without notice.

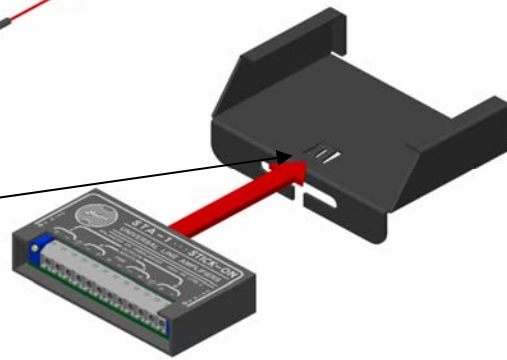
**Step 1**  
 Attach TX  
 module to the  
 TX-RRB1  
 with screws.



**Step 1**  
 Attach FLAT-  
 PAK module to  
 the  
 FP-RRB1 with  
 screws.



**Step 1**  
 Slide the STICK-ON  
 onto the ST-RRB1.  
 Once it is fully  
 seated bend the  
 locking tab up  
 slightly to secure  
 the module to the  
 ST-RRB1.



**Step 2**  
 Attach  
 RRB1 with  
 appropriate  
 module on  
 to rear rack  
 rail with  
 supplied  
 screws.

